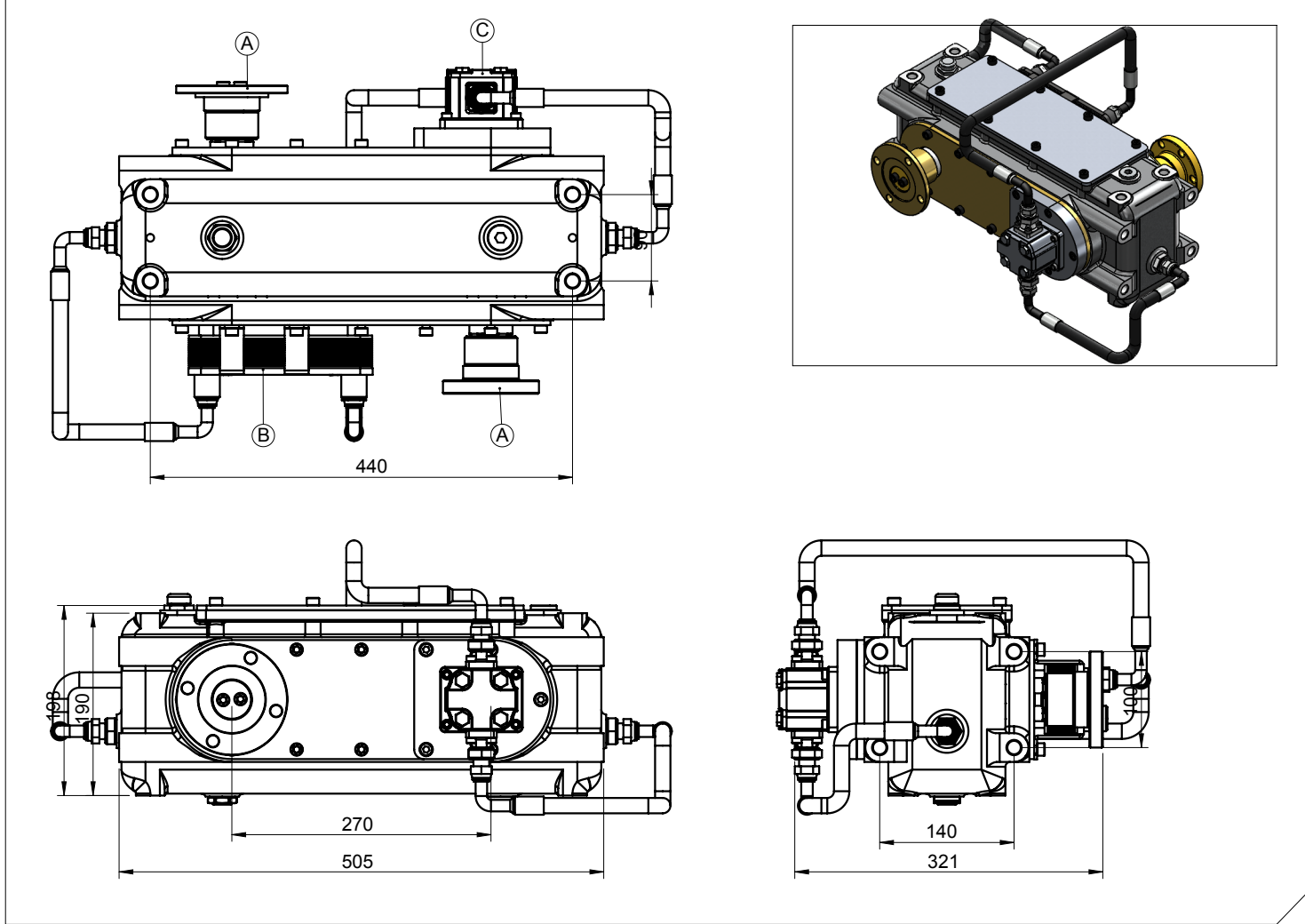


<b>Application Type</b>	Horizontal or Vertical Usage
<b>Gearbox Type</b>	4 Axis RPM Increaser/Decreaser

<b>Product Code</b>	<b>KRD.19.ESJ</b>
---------------------	-------------------



### Products Views



### Component Details

- A: Reduktor Input and Output Flanged (DIN100 6Bolts) (Optional)
- B: Heat exchangers for cooling system
- C: Group 1 lubrication pump

### Technical Details

Max. Power	Max. Torque		Input/Output	Mounting Type	
	Nm	kgm		Weight	Sense of Rotation
kW				Split Shaft	
100	951	97	1/1 1/1.4	35 kg	Opposite of Input